

F

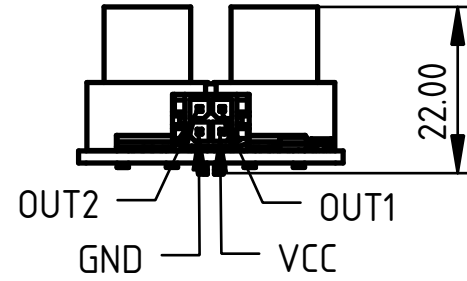
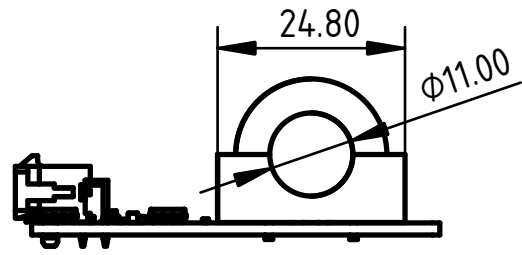
E

D

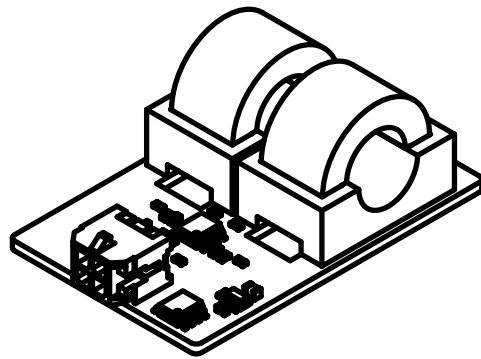
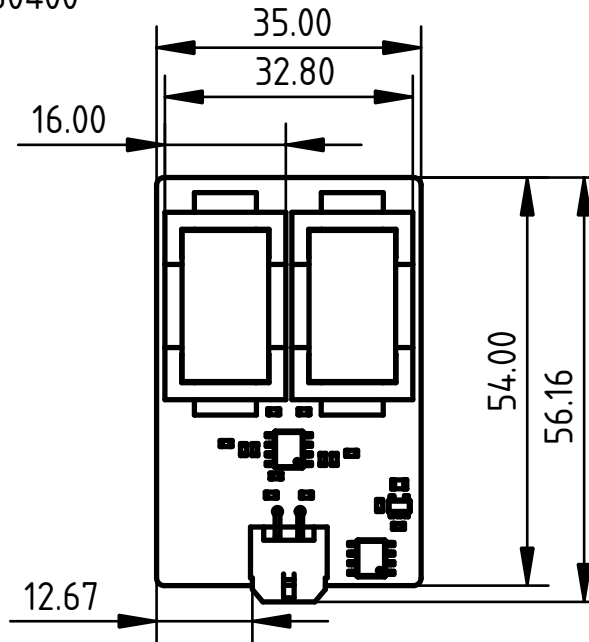
C


B

A



Connector: Molex-430450400



DESIGNED BY: rol		MDC-DR-10S-A-XXX_XXX		G	-
DATE: 02.07.2021		Rev 1.0.1		F	-
SIZE A4				E	-
SCALE 1:1	WEIGHT (kg)			DRAWING NUMBER	D
			SHEET 1	C	-
This drawing is our property; it can't be reproduced or communicated without our written consent.				B	-
				A	-

F

E

D

4

3

2

1

4

3

2

1