

F

E

D

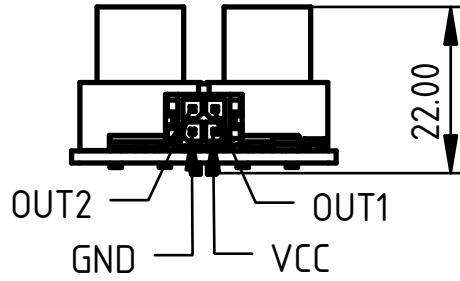
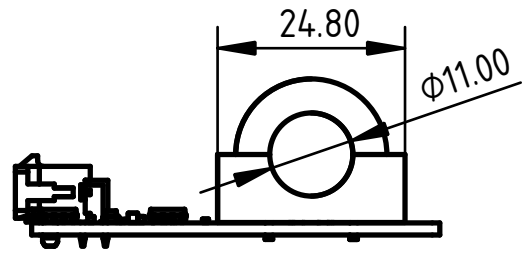
C

B

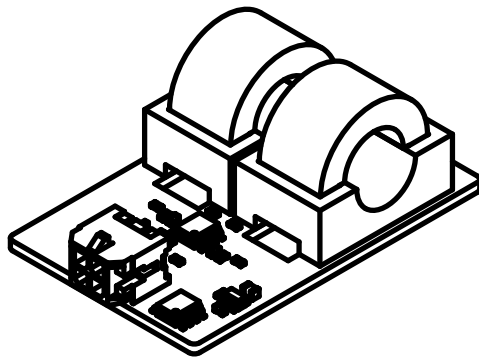
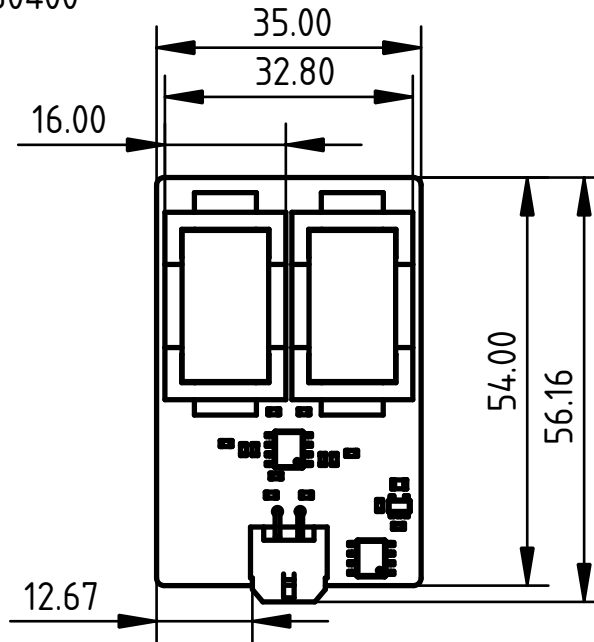
A

4

4



Connector: Molex-430450400



3


3

2

2

1

1

DESIGNED BY: rol		MDC-DI-10T-A-XXX		G	-
DATE: 02.07.2021		Rev 1.0.1		F	-
SIZE A4				E	-
SCALE 1:1	WEIGHT (kg)			D	-
		DRAWING NUMBER	SHEET 1	C	-
This drawing is our property; it can't be reproduced or communicated without our written consent.				B	-
				A	-

F

E

D