

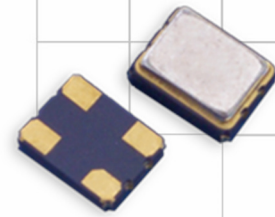


Model TCLP32

HCMOS Clock @ 32.768kHz

Features

- Low Power Consumption, 10µA Maximum
- Ceramic Surface Mount Package
- Fundamental Crystal Design
- Frequency 32.768kHz
- +1.8V, +2.5V or +3.3V Operating Voltage
- Operating Temperature Range to -40°C to +85°C
- Output Enable Standard
- Tape and Reel Packaging, EIA-481



Part Dimensions:
3.2 x 2.5 x 1.2mm • 30.803mg

Applications

- Real Time Clock Reference
- IoT
- Portable Electronics
- Smart Metering
- Wireless Communications
- Telematics
- Data Loggers
- Timing Synchronization
- Battery Powered Applications

Description

CTS Model TCLP32 is a low cost, small size, HCMOS Clock Oscillator [XO] operating at 32.768kHz. Employing IC technology that provides low current consumption, TCLP32 provides a Real Time Clock reference with excellent stability and low phase jitter performance.

Ordering Information

Model	Supply Voltage	Frequency Code	Frequency Stability		Temperature Range	Packaging		
TCLP32	L	327K	3		I	R		
	Code	Voltage	Code	Stability	Code	Stability	Code	Packing
	M	+1.8Vdc	6	±20ppm ¹	4	±30ppm	R	3k pcs./reel
	N	+2.5Vdc	5	±25ppm	3	±50ppm		
	L	+3.3Vdc						
		Code	Frequency					
		327K	= 32.768kHz					
		Code	Temp. Range					
		C	-20°C to +70°C					
		D	-30°C to +85°C					
		I	-40°C to +85°C					

Notes:

1] Contact factory for availability.

**Not all performance combinations and frequencies may be available.
Contact your local CTS Representative or CTS Customer Service for availability.**

This product is specified for use only in standard commercial applications. Supplier disclaims all express and implied warranties and liability in connection with any use of this product in any non-commercial applications or in any application that may expose the product to conditions that are outside of the tolerances provided in its specification.



Electrical Specifications

Operating Conditions

PARAMETER	SYMBOL	CONDITIONS	MIN	TYP	MAX	UNIT
Maximum Supply Voltage	V_{CC}	-	-0.5	-	5.0	V
Supply Voltage	V_{CC}	$\pm 5\%$	1.710 2.375 3.135	1.8 2.5 3.3	1.890 2.625 3.465	V
Supply Current	I_{CC}	No Load	-	-	10	μA
Operating Temperature	T_A	-	-20 -30 -40	+25	+70 +85 +85	$^{\circ}C$
Storage Temperature	T_{STG}	-	-55	-	+125	$^{\circ}C$

Frequency Stability

PARAMETER	SYMBOL	CONDITIONS	MIN	TYP	MAX	UNIT
Frequency Range	f_0	-		32.768		kHz
Frequency Stability [Note 1]	$\Delta f/f_0$	-		20, 25, 30 or 50		$\pm ppm$
Aging	$\Delta f/f_{25}$	First Year @ +25 $^{\circ}C$, nominal V_{CC}	-3	-	3	ppm

1.] Inclusive of initial tolerance at time of shipment, changes in supply voltage, load, temperature and 1st year aging.

Output Parameters

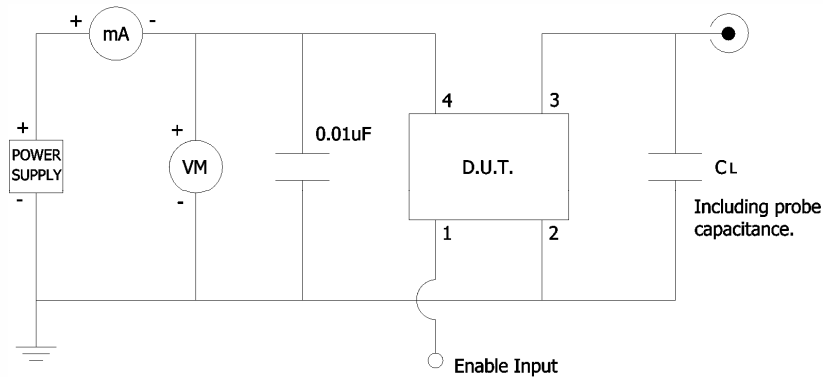
PARAMETER	SYMBOL	CONDITIONS	MIN	TYP	MAX	UNIT
Output Type	-	-		HCMOS		-
Output Load	C_L	-	-	-	15	pF
Output Voltage Levels	V_{OH} V_{OL}	CMOS Load	0.9 V_{CC} -	- -	- 0.1 V_{CC}	V
Output Duty Cycle	SYM	@ 50% Level	45	-	55	%
Rise and Fall Time	T_R, T_F	@ 10%/90% Levels, $C_L = 15pF$	-	-	30	ns
Start Up Time	T_S	Application of V_{CC}	-	-	10	ms
Enable Function		Standby				
Enable Input Voltage	V_{IH}	Pin 1 Logic '1', Output Enabled	0.7 V_{CC}	-	-	V
Disable Input Voltage	V_{IL}	Pin 1 Logic '0', Output Disabled	-	-	0.3 V_{CC}	V
Disable Current	I_{IL}	Pin 1 Logic '0', Output Disabled	-	-	3	μA
Enable Time	T_{PLZ}	Pin 1 Logic '1', Output Enabled	-	-	10	ms

Enable Truth Table

Pin 1	Pin 3
Logic '1'	Output Enabled
Open	Output Enabled
Logic '0'	Output Disabled, High Impedance

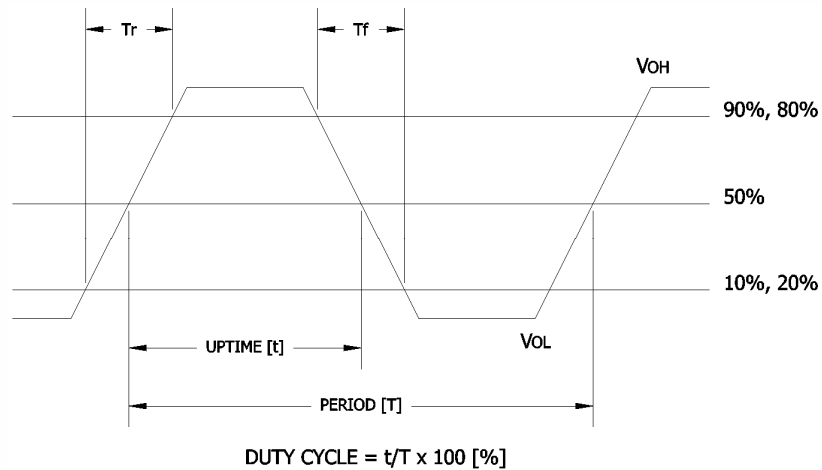
Electrical Specifications

Test Circuit
HCMOS



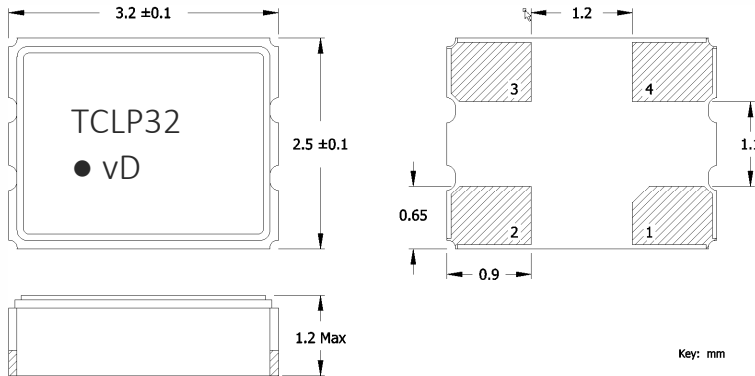
Output Waveform

HCMOS



Mechanical Specifications

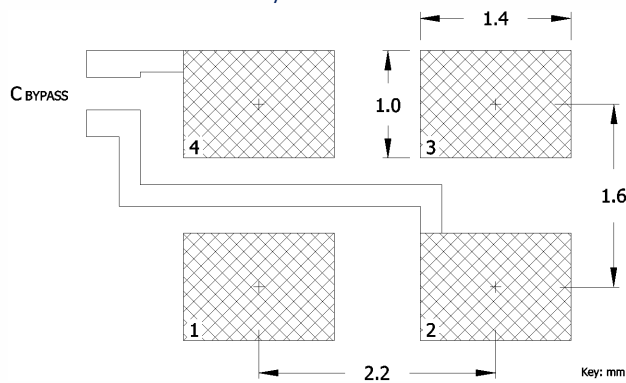
Package Drawing



Marking Information

1. TCLP32 – CTS Model.
2. v – Voltage Code
[L = 3.3V, N = 2.5V, M = 1.8V]
3. D – Date Code. See Table I for codes.

Recommended Pad Layout



Notes

1. JEDEC termination code (e4). Barrier-plating is nickel [Ni] with gold [Au] flash plate.
2. Reflow conditions per JEDEC J-STD-020; +260°C maximum, 20 seconds.
3. MSL = 1.

Pin Assignments

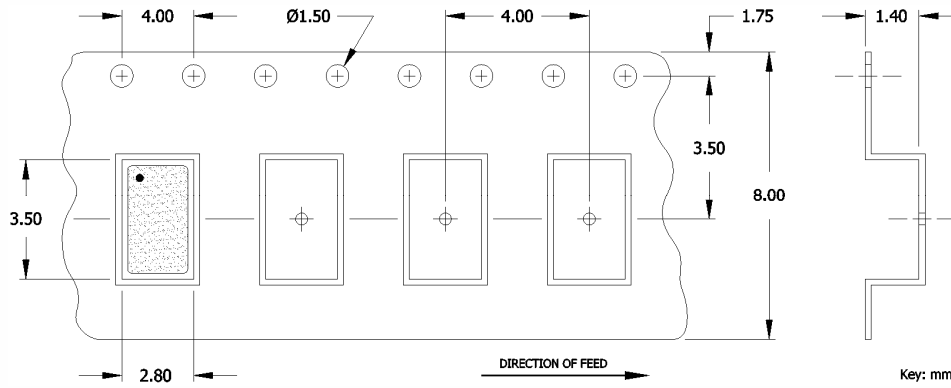
Pin	Symbol	Function
1	EOH	Enable
2	GND	Circuit & Package Ground
3	Output	RF Output
4	V _{CC}	Supply Voltage

Table I - Date Code, Beginning year 2021

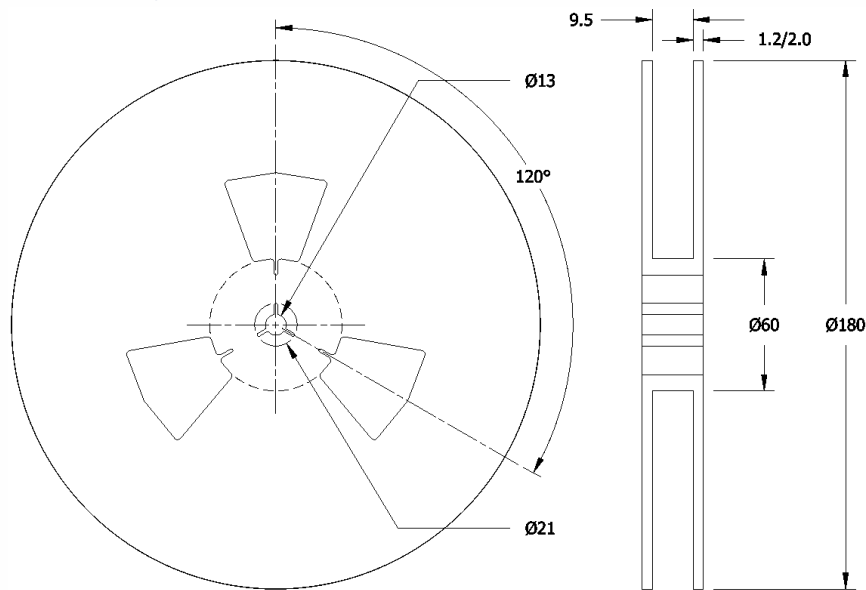
		MONTH					YEAR											
		JAN	FEB	MAR	APR	MAY	JUN	JUL	AUG	SEP	OCT	NOV	DEC					
2021	2025	2029	2033	2037	A	B	C	D	E	F	G	H	J	K	L	M		
2022	2026	2030	2034	2038	N	P	Q	R	S	T	U	V	W	X	Y	Z		
2023	2027	2031	2035	2039	a	b	c	d	e	f	g	h	j	k	l	m		
2024	2028	2032	2036	2040	n	p	q	r	s	t	u	v	w	x	y	z		

Packaging - Tape and Reel

Tape Drawing



Reel Drawing



Notes

1. Device quantity is 3k pieces per 180mm reel.
2. Complete CTS part number, frequency value and date code information must appear on reel and carton labels.