

### Features

- Low Loss
- High Rejection
- Small Size

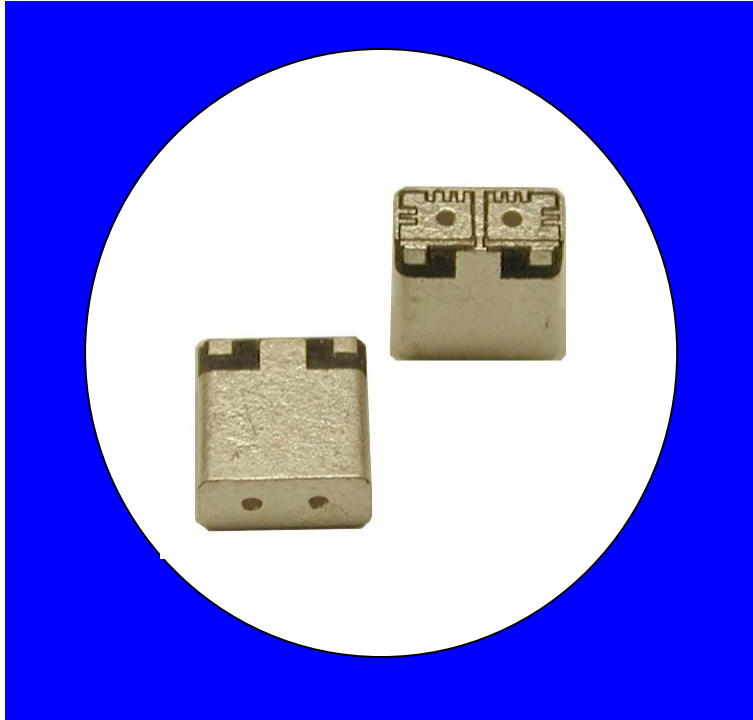
### Description

Surface mount, silver (Ag) coated, ceramic filter. Developed for use in subscriber GPS L1 Applications.

Weight: 0.17 grams typical

Material: Filter is composed of a ceramic block plated with Ag.

Filter complies with RoHS standards.



### Electrical Specifications

Parameter	Frequency (MHz)	Typical @ 25°C	Spec. over -40°C to +85°C
Passband Insertion Loss	1573.42 – 1577.42	1.25 dB	1.5dB max
Passband Return Loss	1573.42 – 1577.42	15.0 dB	11 dB min
Passband Ripple	1573.42 – 1577.42	0.1 dB	0.5 dB max
Attenuation	824 – 849	49.0 dB	45 dB min
	1850 – 1910	53.0 dB	45 dB min
	1710 – 1785	27.0 dB	20 dB min
	2400 – 2484	50.0 dB	20 dB min

Note: Supplier shall test each filter to the critical electrical specifications of the above table. Any subsequent audits may deviate from in value due to measurement repeatability among different test systems. Such deviations shall not exceed the following limits:

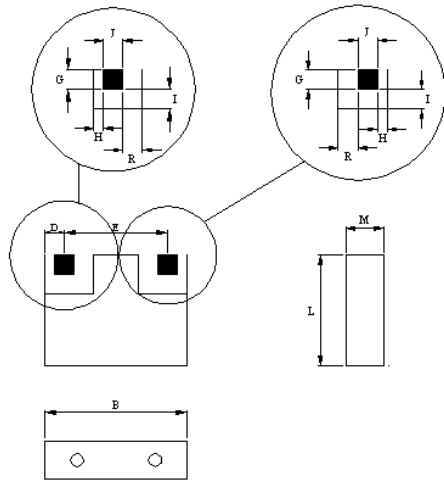
Specification Allowance

Insertion Loss	0.1 dB
Return Loss	1.0 dB
Stopbands	1.0 dB

\*This product is covered by one or more of the following U.S. and foreign patents including: US 4,692,726;US 4,742,562; US 4,800,348;US 4,829,274;US 5,146,193;EP 0573597;DE 0573597;FR 0573597;JP 508149/92;KR 142171;US 5,162,760;US 5,218,329;US 5,250,916;US 5,327,109;US 5,488,335;CA 2114029;FR 9306297;GB 2273393;JP 3205337;KR 115113;CN 93106228.4;US 5,512,866;EP 0706719;DE 0706719;GB 0706719;CN 95190359.4;US 5,602,518;US 5,721,520;US 5,745,018;EP 0910875;DE 0910875;DK 0910875;FR 0910875;GB 0910875;IE 0910875;JP 505182/98;KR 10-323013;US 5,994,978;US 6,462,629;CN 00810420.4;US 6,559,735;US 6,650,202;US 6,834,429. Other US and foreign patents pending.

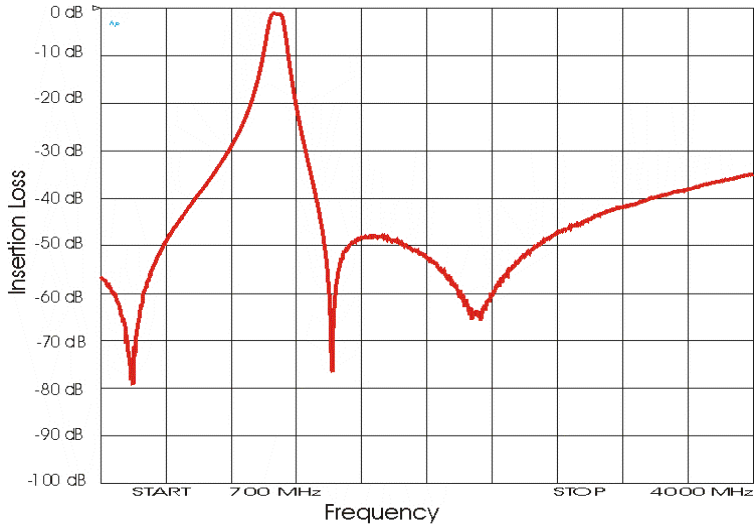
\*CTS Corporation 2006 reserves all copyrights in the layout, design and configuration of the patterns on this product.\*

### Mechanical Drawing

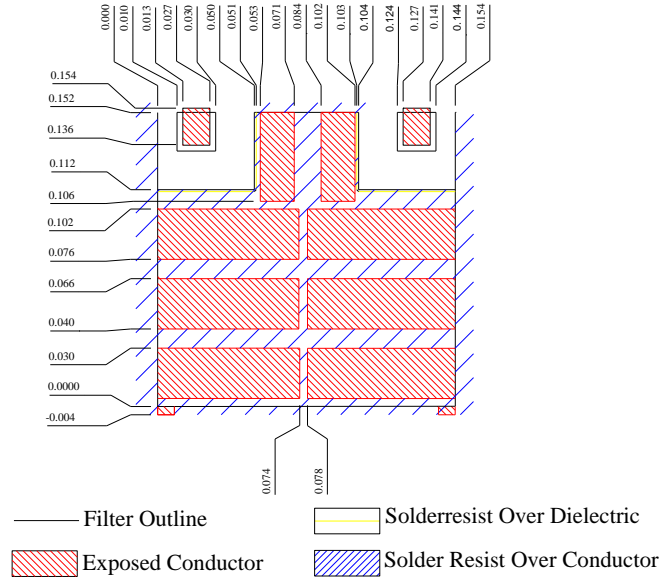


Dim	Nominal (mm)	Tolerance (mm) +/- or max
A		
B	4.0	max
C		
D	0.53	0.13
E	2.9	0.13
F		
G	0.51	0.13
H	0.25	0.13
I	0.51	0.13
J	0.51	0.13
L	4.2	max
M	2.0	max
R	0.51	0.13

### Electrical response



### PCB Layout



### Packaging and Marking

DIMENSION	UNITS	SPECIFICATION
REEL DIAMETER	mm	178
REEL WEIGHT	kg	0.45
REEL QUANTITY	Ea.	500

