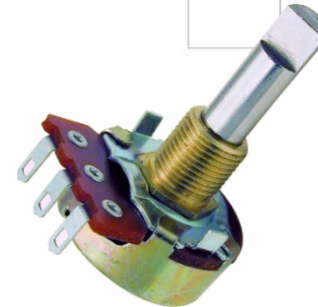


Series 295

24mm Rotary Potentiometer

- Carbon Composition Element
- Up to 1M Life Cycles Available
- Precision Linearity Options
- Bushing and Shaft Length Options
- Electrical Angle Options
- Low Noise Output
- Wide Operating Temperature Range



Description

The 295 Series robust construction provides designers with a long life, highly reliable precision product. Standard options include various shaft and bushing lengths, shaft styles, resistance values and tolerances, and various electrical angles to meet customer’s design and application requirements.

Ordering Information

Series	Terminal Style	Bushing Length "A"	Shaft Length "L"	Shaft Trim	Resistance Code	Resistance Tolerance	Taper/Effective Electrical Angle	A/R Lug Options																																																					
295	T	2	20	R	103	B	5	1																																																					
<table border="1"> <thead> <tr> <th>Code</th> <th>Spec.</th> </tr> </thead> <tbody> <tr> <td>S</td> <td>Solder lug</td> </tr> <tr> <td>T</td> <td>Solder lug formed to rear</td> </tr> </tbody> </table>		Code	Spec.	S	Solder lug	T	Solder lug formed to rear	<table border="1"> <thead> <tr> <th colspan="2">Metal Shaft</th> </tr> </thead> <tbody> <tr> <td>20</td> <td>.625" (15.9mm)</td> </tr> <tr> <td>24</td> <td>.750" (19.1mm)</td> </tr> <tr> <td>28</td> <td>.875" (22.2mm)</td> </tr> <tr> <td>32</td> <td>1.000" (25.4mm)</td> </tr> <tr> <td colspan="2"><i>Diameter: .250"</i></td> </tr> <tr> <td colspan="2"><i>Length increment: 1/32"</i></td> </tr> </tbody> </table>		Metal Shaft		20	.625" (15.9mm)	24	.750" (19.1mm)	28	.875" (22.2mm)	32	1.000" (25.4mm)	<i>Diameter: .250"</i>		<i>Length increment: 1/32"</i>		<table border="1"> <thead> <tr> <th>Code</th> <th>Resistance</th> </tr> </thead> <tbody> <tr> <td>103</td> <td>10 kΩ</td> </tr> <tr> <td>253</td> <td>25 kΩ</td> </tr> <tr> <td>503</td> <td>50 kΩ</td> </tr> <tr> <td>104</td> <td>100 kΩ</td> </tr> <tr> <td>504</td> <td>500 kΩ</td> </tr> <tr> <td>105</td> <td>1 MΩ</td> </tr> </tbody> </table>		Code	Resistance	103	10 kΩ	253	25 kΩ	503	50 kΩ	104	100 kΩ	504	500 kΩ	105	1 MΩ	<table border="1"> <thead> <tr> <th>Code</th> <th>Spec.</th> </tr> </thead> <tbody> <tr> <td>A</td> <td>±10%</td> </tr> <tr> <td>B</td> <td>±20%</td> </tr> <tr> <td>C</td> <td>±30%</td> </tr> </tbody> </table>		Code	Spec.	A	±10%	B	±20%	C	±30%	<table border="1"> <thead> <tr> <th>Code</th> <th>Spec.</th> </tr> </thead> <tbody> <tr> <td>1</td> <td>Bilateral lugs</td> </tr> <tr> <td>2</td> <td>Right side lug</td> </tr> <tr> <td>3</td> <td>No lug</td> </tr> <tr> <td>4</td> <td>Left side lug</td> </tr> </tbody> </table>		Code	Spec.	1	Bilateral lugs	2	Right side lug	3	No lug	4	Left side lug
Code	Spec.																																																												
S	Solder lug																																																												
T	Solder lug formed to rear																																																												
Metal Shaft																																																													
20	.625" (15.9mm)																																																												
24	.750" (19.1mm)																																																												
28	.875" (22.2mm)																																																												
32	1.000" (25.4mm)																																																												
<i>Diameter: .250"</i>																																																													
<i>Length increment: 1/32"</i>																																																													
Code	Resistance																																																												
103	10 kΩ																																																												
253	25 kΩ																																																												
503	50 kΩ																																																												
104	100 kΩ																																																												
504	500 kΩ																																																												
105	1 MΩ																																																												
Code	Spec.																																																												
A	±10%																																																												
B	±20%																																																												
C	±30%																																																												
Code	Spec.																																																												
1	Bilateral lugs																																																												
2	Right side lug																																																												
3	No lug																																																												
4	Left side lug																																																												
<table border="1"> <thead> <tr> <th colspan="2">Brass Bushing</th> </tr> </thead> <tbody> <tr> <td>2</td> <td>.250" (6.35mm)</td> </tr> <tr> <td>3</td> <td>.375" (9.53mm)</td> </tr> <tr> <td>8</td> <td>1.000" (25.4mm)</td> </tr> <tr> <td colspan="2"><i>Diameter: 3/8"- 32UNEF-2A</i></td> </tr> <tr> <td colspan="2"><i>Length increment: 1/8"</i></td> </tr> </tbody> </table>		Brass Bushing		2	.250" (6.35mm)	3	.375" (9.53mm)	8	1.000" (25.4mm)	<i>Diameter: 3/8"- 32UNEF-2A</i>		<i>Length increment: 1/8"</i>		<table border="1"> <thead> <tr> <th>Code</th> <th>Spec.</th> </tr> </thead> <tbody> <tr> <td>R</td> <td>Round</td> </tr> <tr> <td>F</td> <td>Flatted</td> </tr> <tr> <td>K</td> <td>Split Knurl</td> </tr> <tr> <td>S</td> <td>Slotted</td> </tr> </tbody> </table>		Code	Spec.	R	Round	F	Flatted	K	Split Knurl	S	Slotted	<table border="1"> <thead> <tr> <th>Code</th> <th>Taper</th> <th>EEA</th> </tr> </thead> <tbody> <tr> <td>1</td> <td>Linear</td> <td>50°</td> </tr> <tr> <td>2</td> <td>10% Audio</td> <td>240°</td> </tr> <tr> <td>3</td> <td>10% CCW Audio</td> <td>240°</td> </tr> <tr> <td>4</td> <td>Linear</td> <td>40°</td> </tr> <tr> <td>5</td> <td>Linear</td> <td>60°</td> </tr> <tr> <td>6</td> <td>Linear</td> <td>110°</td> </tr> <tr> <td>7</td> <td>Linear</td> <td>270°</td> </tr> </tbody> </table>		Code	Taper	EEA	1	Linear	50°	2	10% Audio	240°	3	10% CCW Audio	240°	4	Linear	40°	5	Linear	60°	6	Linear	110°	7	Linear	270°										
Brass Bushing																																																													
2	.250" (6.35mm)																																																												
3	.375" (9.53mm)																																																												
8	1.000" (25.4mm)																																																												
<i>Diameter: 3/8"- 32UNEF-2A</i>																																																													
<i>Length increment: 1/8"</i>																																																													
Code	Spec.																																																												
R	Round																																																												
F	Flatted																																																												
K	Split Knurl																																																												
S	Slotted																																																												
Code	Taper	EEA																																																											
1	Linear	50°																																																											
2	10% Audio	240°																																																											
3	10% CCW Audio	240°																																																											
4	Linear	40°																																																											
5	Linear	60°																																																											
6	Linear	110°																																																											
7	Linear	270°																																																											
<table border="1"> <thead> <tr> <th colspan="2">Twist Tab</th> </tr> </thead> <tbody> <tr> <td>1</td> <td>Twist tab</td> </tr> </tbody> </table>		Twist Tab		1	Twist tab																																																								
Twist Tab																																																													
1	Twist tab																																																												

Electrical Specifications

Parameter	Conditions & Remarks	Min	Max	Unit
Resistance Range	Linear	10k	1 Meg	Ω
	Audio	5k	1 Meg	Ω
Resistance Tolerance	Standard	-30	+30	%
	Special	-20	+20	%
	Special	-10	+10	%
Dielectric Strength	1 minute		750	VAC
Power Rating	@ 50°C		0.125	watt
Operating Voltage			500	VDC
Insulation Resistance	100 VDC	100		MΩ
	Standard	-5	+5	%
Linearity	Special	-3	+3	%
	Special	-2	+2	%
	Special			
Effective Electrical Angle	See ordering information			

Mechanical and Environmental

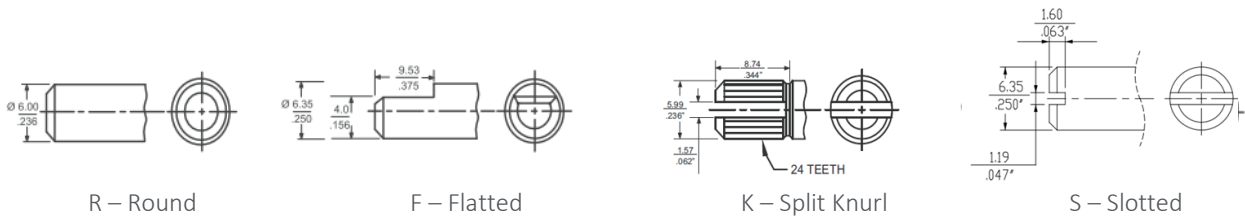
Parameter	Conditions & Remarks	Min	Max	Unit
Operating Temperature Range		-10	+85	°C
Storage Temperature		-25	+100	°C
Rotational Torque		14	144	gf-cm
Rotational Life	240° to 270° EEA	250,000		cycles
	40° to 110° EEA	1,000,000		cycles
Mechanical Angle			300	°
Stop Strength		9		kgf-cm
Push-Pull Strength of Shaft:	13.6 kg for 10 seconds			
Soldering Condition:	Maximum temperature of 260°C for 5 seconds			
Packaging:	Standard cardboard box packaging			

All testing is performed at room ambient conditions except as noted. Users should verify device actual performance in their specific applications. This product is compliant to RoHS3 Directive 2015/863 Amendments of Annex II on 31 March 2015.

Custom and value-added options available on request. Please contact your sales representative for additional information.

Electrical and Mechanical Specifications

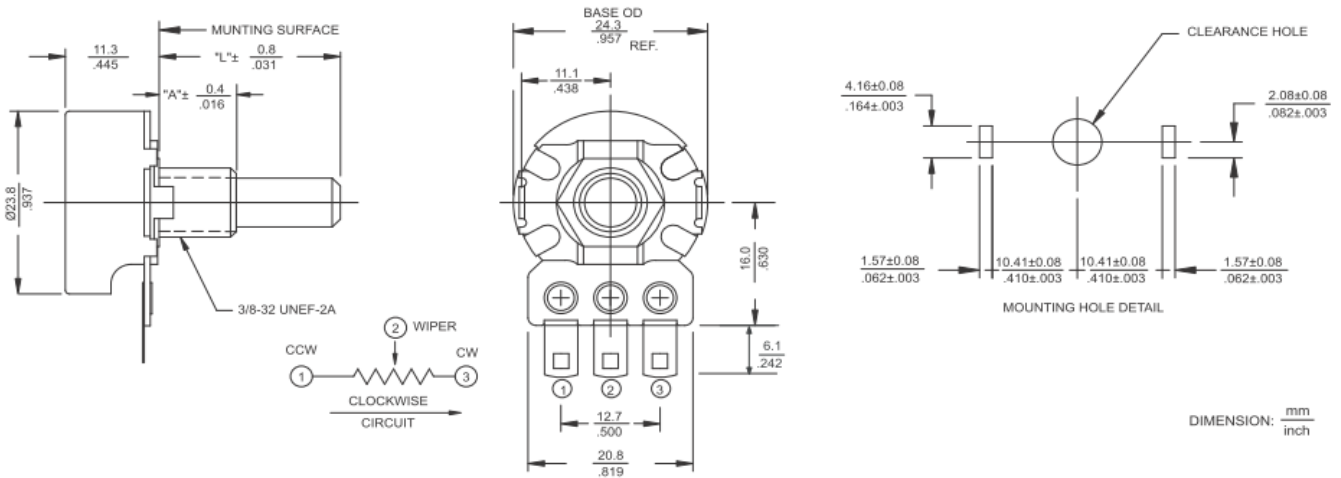
Shaft Trim Options



DIMENSION: $\frac{\text{mm}}{\text{inch}}$

Electrical and Mechanical Specifications

Series 295S Metal Shaft, Bushing Mount, Solder Lug "S" Type Terminals



Series 295T Metal Shaft, Bushing Mount, Solder Lug "T" Type Terminals

